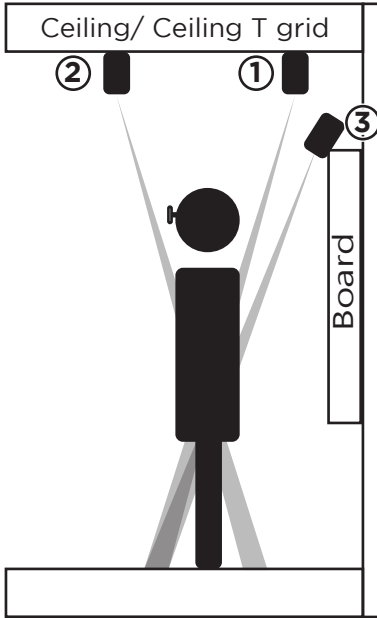




# Fan-shaped Sensor Installation Guide

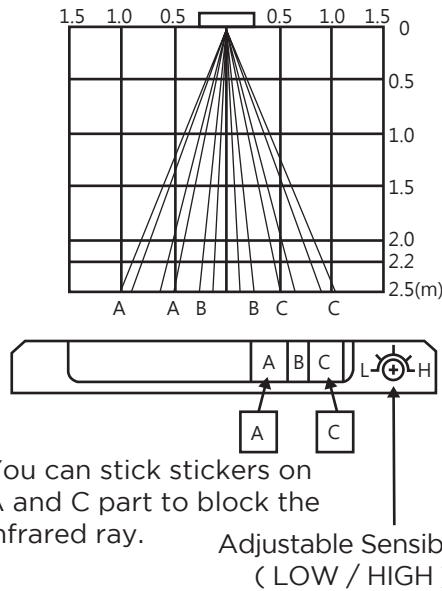
Download Manuals  
<http://manual.blueeyes.com.tw>

## ■ Install location

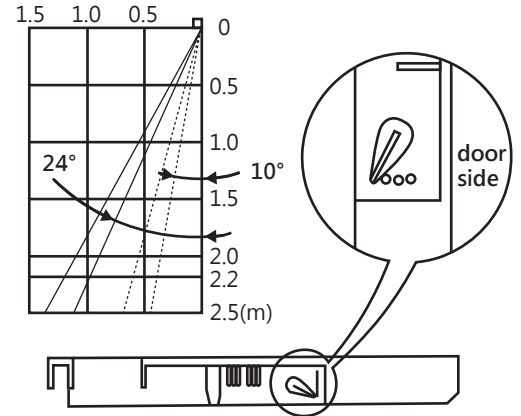


## ■ Scan range

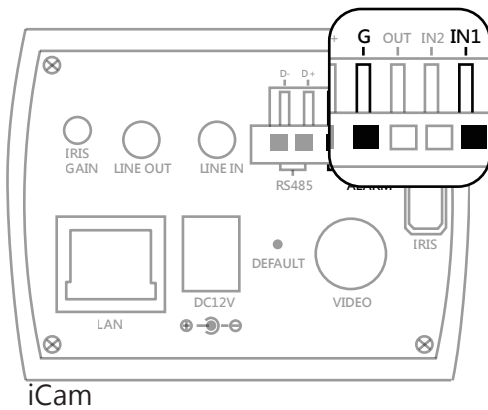
### Install Height and Project Width



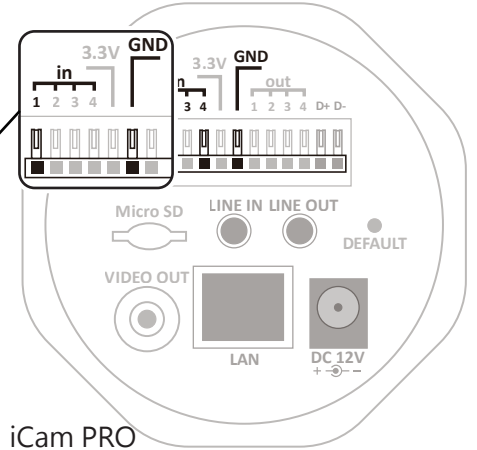
### Shooting angle adjustment



## ■ Connection



IN1/ G  
 Fan-shaped  
 Sensor  
 in1/ GND



### Notice

- ❶ When many fan-shaped sensor are used next to each other, remember to adjust the frequency (as the picture) .One adjust to H, the other to L, the neighboring frequency cannot be the same.
- ❷ Please install at the height within 2.5m. If higher than 2.5M, it would reduce the sensitivity.
- ❸ Do not put the plant or other things that would shake in the range of sensing area.
- ❹ Direct strong light may cause misjudging. Avoid or change the location.
- ❺ Steam or cooking fume may also cause misjudging.
- ❻ Use AC 110V power source.

