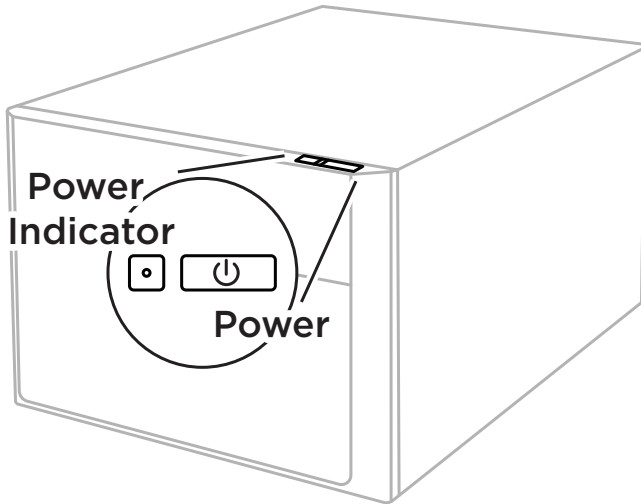


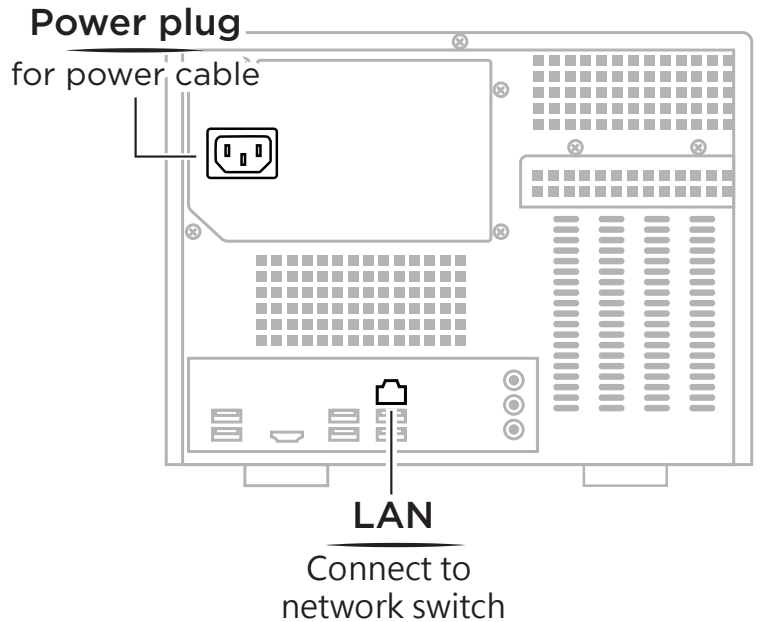


MTS Installation Guide

FRONT



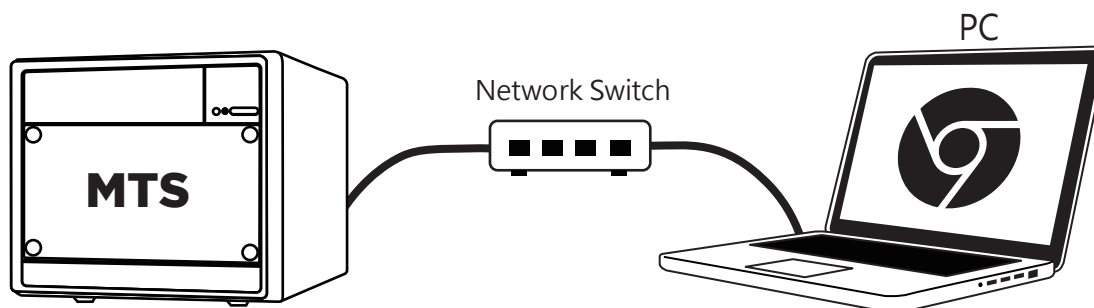
BACK



■ Boot

Make sure power and network are connection and press power button.

■ Management



- ① Use browser Google Chrome
- ② Enter IP of MTS (on the host) at website bar
- ③ Enter account and password

DEFAULT	
ID	admin
PWD	27507522