



iFollow WPC Installation Guide

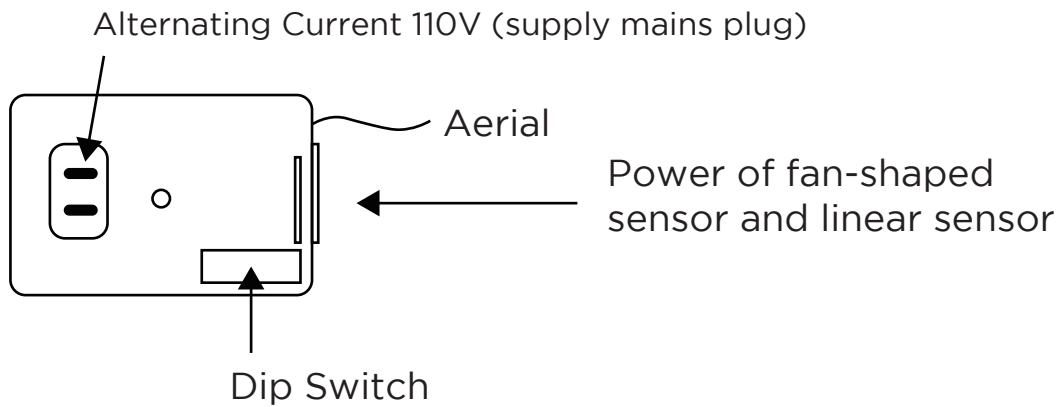
Download Manuals
<http://manual.blueeyes.com.tw>

When board eraser erases the board may disturb fan-shaped sensor or linear sensor. With sensor module can avoid camera being switch to board eraser.

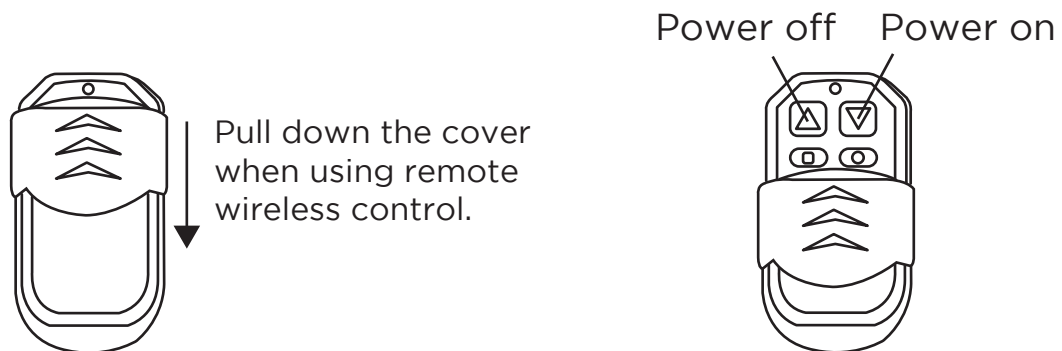


Board eraser is people who charge for erasing board. Teacher can keep teaching, don't have to erase the board any more. It saves time.

■ Switch Remote Receiver



■ Remote Wireless Control



Remote Control Sensor Specification

Power	AC 110V
Relay Contact	7A / AC 240V 或 DC 30V 12A / AC 125V
Stand-by Current	37.2 mA (AC 110V)
Maximum of Operation Current	37.7 mA (AC 110V)
Dimension	77mm x 50mm x 38mm

Switch Remote Control Specification

Power	Dry cell DC 12V
Launching Distance	80m at the furthest in line and no obstacles
Stand-by Current	0mA
Operation Current	6.9mA